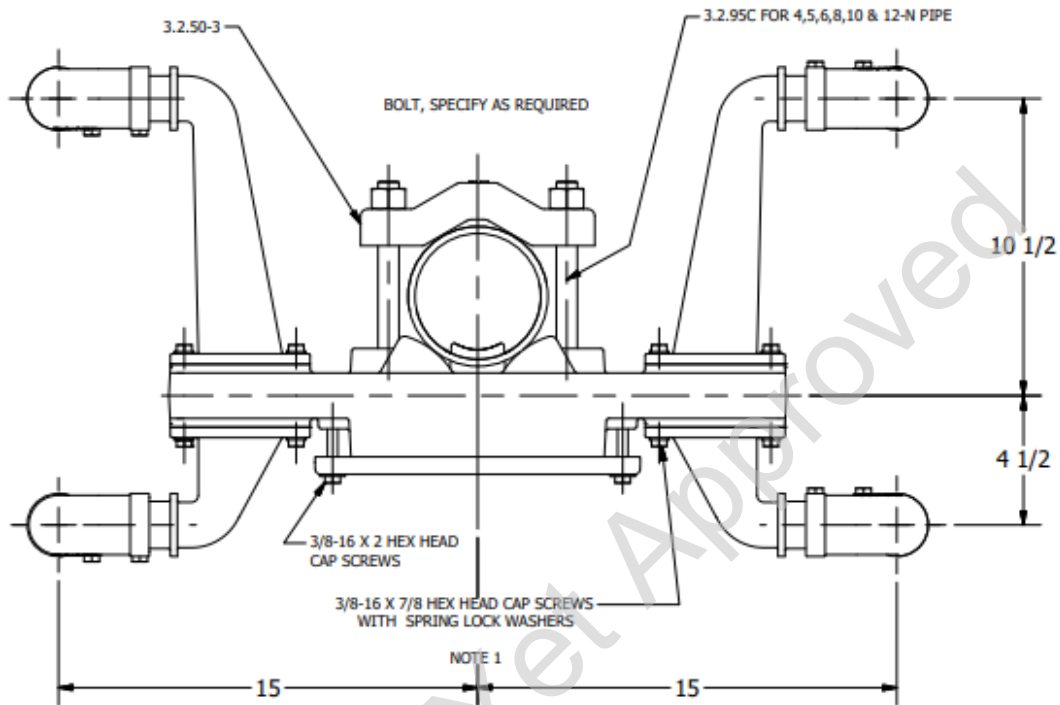
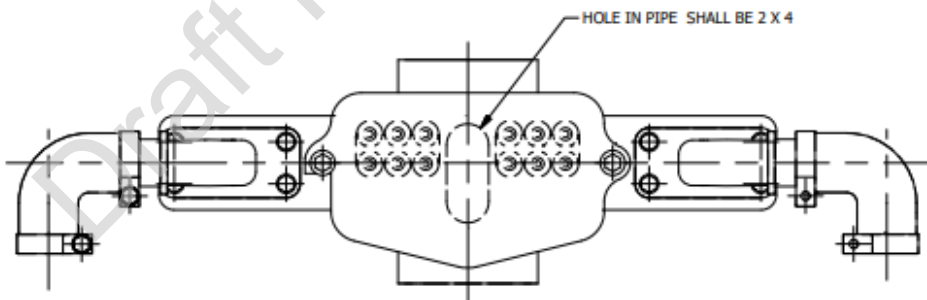


Recommended Design Criteria for Crossarm for Suspended Lights for Flashing-Light Grade Crossing Signal Without Gate, Assemblies
Revised 2025 (2 Pages)



ELBOW DESIGNED FOR VERTICAL AND HORIZONTAL ADJUSTMENT OF ELECTRIC LIGHT UNIT AND FREE FROM MOISTURE LEAKAGE



3.2.50-1 2 WAY 4 LIGHT CROSSARM COMPLETE, MATERIAL: ALUMINUM

Notes:

1. Cast aluminum shall conform to Manual Part 15.1.5 Recommended Developmental Criteria for Various Types of Non-Ferrous Metals and Alloys.
2. Bolts, nuts and threads should be stainless steel and shall conform to Manual Part 14.6.20 Recommended Design Criteria for Bolts, Nuts and Threads.
3. Washers should be stainless steel and shall conform to Manual Part 14.6.21 Recommended Design Criteria for Plain and Spring Lock Washers.
4. Plating shall conform to Manual Part 15.3.1 Recommended Developmental Criteria for Metallic Coating of Metals.
5. Painting, when required, shall conform to Manual Part 1.5.10 Recommended Instructions for Painting and Protective Coatings. Where practicable, the surface coating shall be corrosion inhibiting type.
6. Binding posts shall conform to Manual Part 14.1.11 Recommended Design Criteria for Binding Posts, Nuts & Washers, Detail & Assemblies.
7. Terminal blocks shall conform to Manual Part 14.1.2 Functional/Operating Guidelines for Solderless Screw-Type or Screwless Spring-Type Terminal Blocks for Use in Wiring Signal Apparatus with Copper Wire Only.
8. All dimensions given are in inches.